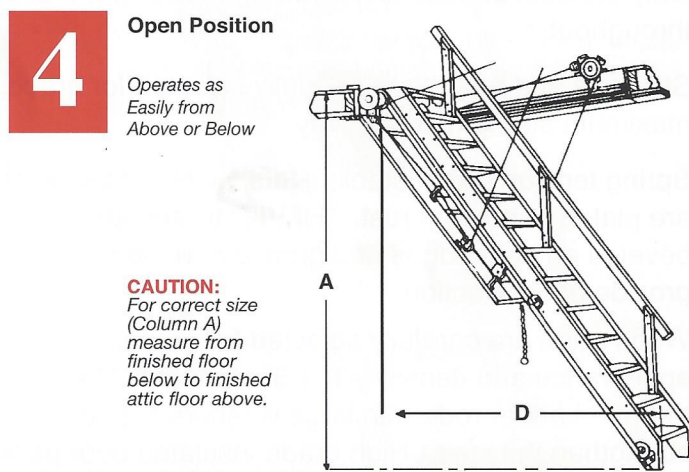
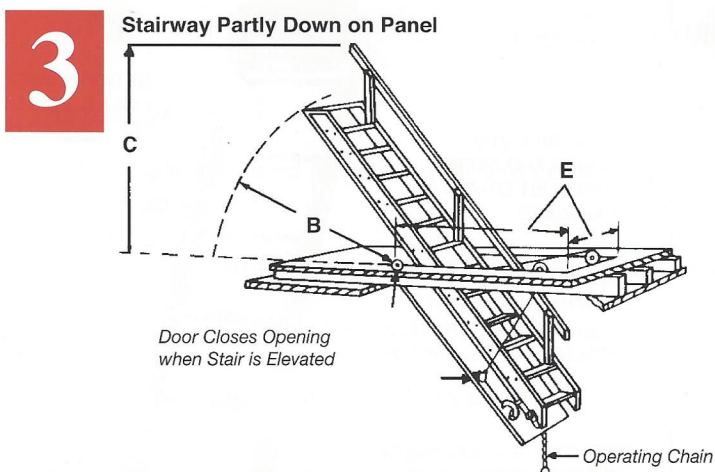
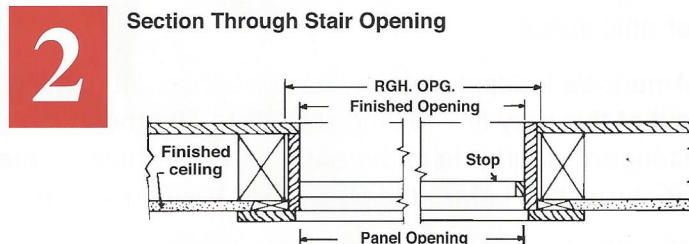


# Information Needed For Proper Ordering

- Orders are to be confirmed in writing to eliminate errors or mistakes. Specify both **Floor To Floor** and **Floor to Ceiling** measurements when ordering BESSLER one-piece stairways. (See FIG. 4)
- SPECIFY MODEL AND SIZE ON YOUR ORDER.
- ROUGH OPENING should be 2" wider and longer than panel size shown. (See truss models for exceptions, doesn't apply to Model 26, 26T or Space Saver).
- BESSLER STAIRWAYS are engineered and custom built to fit and operate within the requirements as shown in the charts and illustrations, and not subject to cancellation after construction begins.
- Stairways are shipped unassembled (except Model 26, 26T and Space Saver).

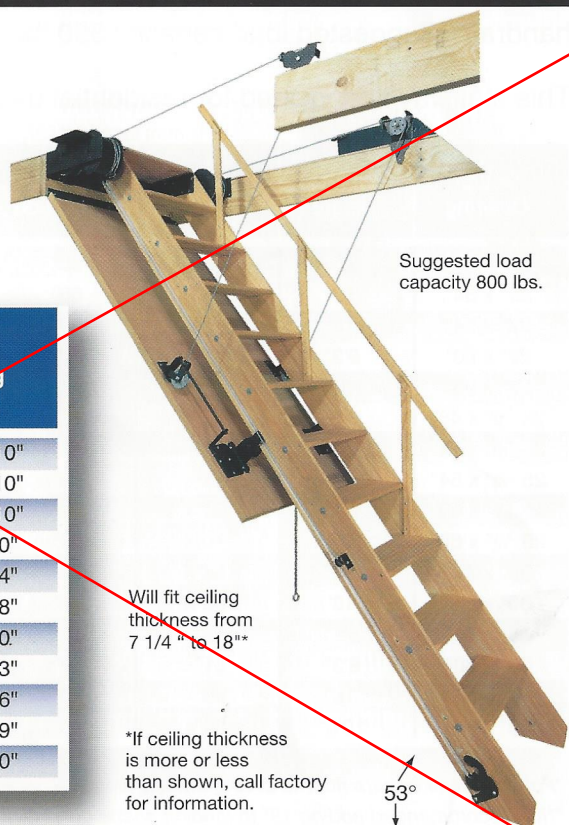


## MODEL 100

Our very best • Solid one piece stringers and treads of selected 1" x 8" kiln dried yellow pine • Ladder rod under each tread for added strength and rigidity • Full length handrail • Ladder width 18 7/8" • Grade A 1 3/8" hollow core door panel • Shipping weight approximately 190 lbs.

Size	A Floor to Floor (Fig. 4)	B Radius Above (Fig. 3)	C Plumb Height Above (Fig. 3)	D Run Below (Fig. 4)	E Panel Opening (Fig. 3)
1	7'-7" to 7'-10"	4'-4"	3'-2"	6'-5"	2'-6" x 5'-10"
2	7'-11" to 8'-4"	4'-11"	3'-8"	6'-10"	2'-6" x 5'-10"
3	8'-5" to 8'-10"	5'-7"	4'-1"	7'-3"	2'-6" x 5'-10"
4	8'-11" to 9'-4"	6'-2"	4'-6"	7'-7"	2'-6" x 6'-0"
5	9'-5" to 9'-10"	6'-4"	4'-9"	8'-0"	2'-6" x 6'-4"
6	9'-11" to 10'-4"	6'-8"	5'-0"	8'-4"	2'-6" x 6'-8"
7	10'-5" to 10'-10"	7'-0"	5'-3"	8'-9"	2'-6" x 7'-0"
8	10'-11" to 11'-4"	7'-6"	5'-5"	9'-2"	2'-6" x 7'-3"
9	11'-5" to 11'-10"	7'-9"	5'-10"	9'-6"	2'-6" x 7'-6"
10	11'-11" to 12'-4"	8'-1"	6'-1"	9'-10"	2'-6" x 7'-9"
11	12'-5" to 12'-10"	8'-6"	6'-4"	10'-3"	2'-6" x 8'-0"

Finished jamb and trim not supplied



# Featuring The Bessler Model 26 & 26 Truss

*Our first sliding stair model engineered to fit standard size folding stair openings.*

## MODEL 26

- Specially designed for use in place of conventional folding attic ladders.
- Partially assembled for quick and efficient installation. Finished frame supplied with this unit, hardware and springs attached at factory. Attach 3 treads and you're ready to go.
- High quality one-piece stringers and treads made of 1" x 6" yellow pine.
- Ladder rods under each tread. Includes full length handrail. Ladder width 17 1/16". Shipping weight 85 lbs.
- Hydraulic-dampened door closure.

## MODEL 26 Truss

Identical to Model 26, except that the 26 Truss is specially designed to fit between 24" O.C. truss ceiling. Ladder width 14".



Size	A Floor to Floor (Fig. 4)	B Radius Above (Fig. 3)	C Plumb Height Above (Fig. 3)	D Run Below (Fig. 4)	Model 26 Panel Opening (Fig. 2)	Model 26T Panel Opening (Fig. 2)
1	7'-7" to 7'-10"	4'-9"	4'-2"	3'-9"	25 1/2" x 54"	<del>22 1/2" x 54"</del>
2	7'-11" to 8'-4"	5'-2"	4'-7"	3'-11"	25 1/2" x 54"	22 1/2" x 54"
3	8'-5" to 8'-10"	5'-8"	5'-1"	4'-2"	25 1/2" x 54"	22 1/2" x 54"
4	8'-11" to 9'-4"	6'-2"	5'-7"	4'-5"	25 1/2" x 54"	22 1/2" x 54"
5*	9'-5" to 9'-10"	6'-8"	6'-1"	4'-8"	25 1/2" x 60"	22 1/2" x 60"
6	9'-11" to 10'-4"	7'-2"	6'-7"	4'-11"	25 1/2" x 60"	22 1/2" x 60"
7	10'-5" to 10'-10"	6'-4"	7'-1"	5'-2"	25 1/2" x 74"	22 1/2" x 74"
8	10'-11" to 11'-4"	6'-8"	7'-7"	5'-5"	25 1/2" x 74"	22 1/2" x 74"
9	11'-5" to 11'-10"	7'-2"	8'-1"	5'-8"	25 1/2" x 74"	22 1/2" x 74"

*\*Also available for ROUGH OPENING of 54"*